



Brand introduction



SELF at a glance

History

Founded in 1993, now in a
58000 sq metre production facility



Quality and Repeatability

- More than 50 R&D staff
- Factory TUV and UL accredited laboratory for approvals
- 28 production lines with 100% on the line inspection



Innovation

As a well known and respected electronics manufacturer in the field of ballasts and transformers, SELF was the first Chinese company to produce the LED driver, in 2000



Worldwide technology leader

- The biggest selling electronic transformer manufacturer in China
- Produced the worlds first ultra slim (<10mm high) LED driver
- Member of DALI alliance and producer of DALI2 drivers



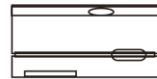
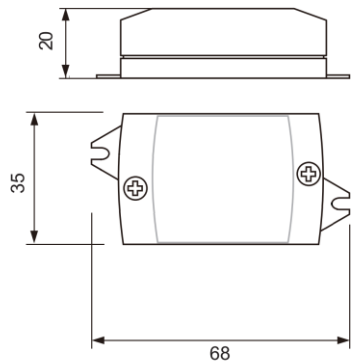
Innovative range of LED driver products



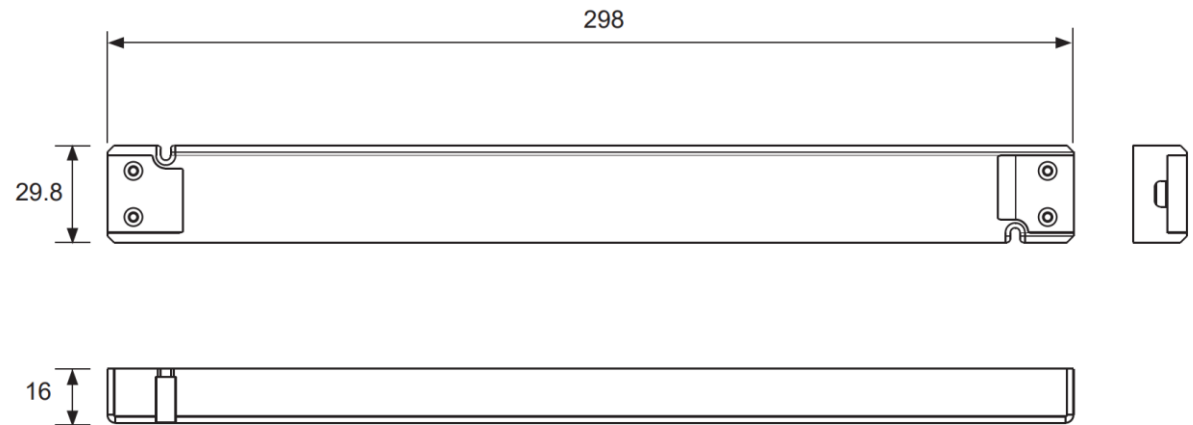
Designed for low profile applications with easy adjustable output

Why use **SELF** drivers

- Experienced, high volume producer of reliable LED drivers
- Particular expertise in products for tight, linear spaces
- Innovative, dip switch adjustable drivers for easy specification and flexibility
- Multiple range options to cover all design scenarios



Example case sizes



Our expertise



Flagship retail development, Kuwait >
Constant voltage LED drivers and DMX control



London Heathrow >
LED lighting drivers, DALI control and emergency packs



St James Square, London >
Constant voltage LED drivers and Dimmable LED Drivers



IMAX Waterloo, London >
Constant voltage LED drivers and DMX control



The Igloo Bar, UK >
Constant voltage LED Drivers and RGB control



Marks and Spencer, Nationwide >
Super-slim constant current LED drivers

Bright Green Connect is the distributor and technical partner for Self.

We have local stock and an expert support team.

Contact us:

Unit 3, Oyster Park
109 Chertsey Road
Byfleet
KT14 7AX
United Kingdom

+44 (0) 1932 497992

contact@brightgreenconnect.com
www.brightgreenconnect.com