

Constant Voltage & Constant Current LED Power Supply



Product description:

This series was designed for compromise between an attractive price and high performance, which meets SELV standard of preventing electric shock. Protection of open circuit, short circuit, over load and over temperature increased safety in processing. Low standby power consumption complies with ERP directives. Optimized electric circuit design brings cost-effectiveness.



Standards:

EN61347-1
EN61347-2-13
EN61547
EN55015
EN61000-3-2
EN61000-3-3
EN62384
EN62493

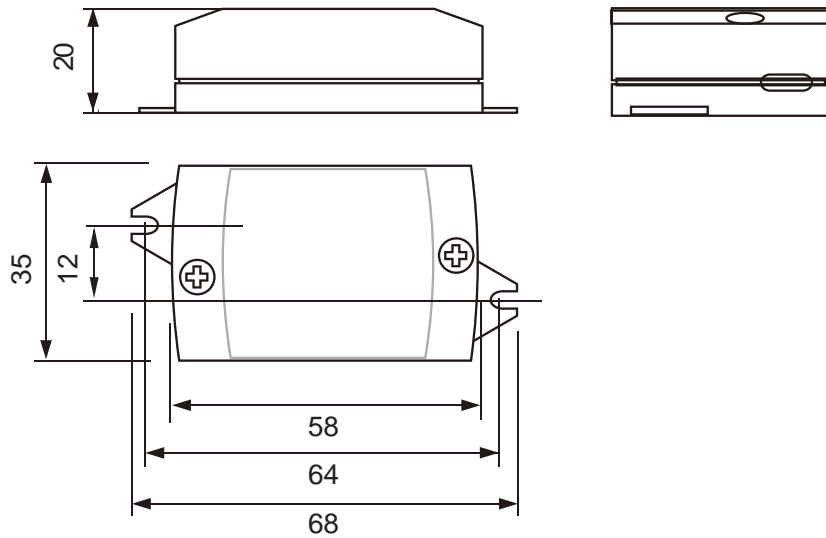
Characteristics:

- Compact dimensions
- Independent use design
- Compatible with constant current and constant voltage function (350mA and 700mA model)
- SELV output (<60V)
- Low output ripple current $\leq \pm 10\%$
- Fast start-up time $\leq 0.5s$
- No load power consumption $\leq 0.3W$
- Open circuit, short circuit, over load and over temperature protection
- Auto restart after fault conditions removal
- High efficiency 79%
- ECO design, comply with ERP directives

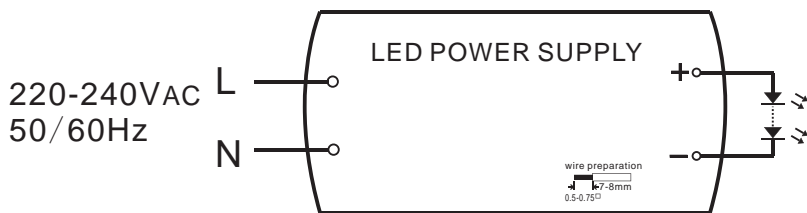
Specifications:

| Model | | SLT6-350ILs | SLT6-700ILs | |
|------------------|-------------------------------------------------------------------------------------------------------------------------------------------------------------------------------------------------------------------------------------------------------------------------------------------------------------------------------------------------------------------------------------------------------------------------------------------------------------------------------------------------------------------------------------------------------------------------------------------------------------------------------------------------------|---------------------------------------|-------------|-----------|
| Output | turn on time(S) | ≤0.5 | ≤0.5 | |
| | output current(mA) | 350 | 700 | |
| | CC | output current tolerance ^① | +/-8% | +/-8% |
| | | ripple current(mA) | 35(Ip-p) | 140(Ip-p) |
| | | working voltage range(V) | 7.5-21 | 3-9 |
| | | Max. output voltage(V) | 25 | 13 |
| | | output voltage (V) | 24 | 12 |
| | CV | output voltage tolerance ^① | +/-1.5% | +/-1.5% |
| | | ripple voltage(mV) | 350(Vp-p) | 250(Vp-p) |
| | | working current range(A) | 0-0.3 | 0-0.5 |
| | dimming interface | No | | |
| dimming range | n/a | | | |
| Input | rated supply voltage(Vac) | 220-240 | 220-240 | |
| | voltage range(Vac) | 198-264 | 198-264 | |
| | line frequency(Hz) | 50/60 | 50/60 | |
| | input current(mA) | 90 | 80 | |
| | efficiency ^② | 78.6% | 74.5% | |
| | power factor ^② | 0.55 | 0.55 | |
| | inrush current(Ipk) | 7A/180us | 7A/180us | |
| Protection | over voltage protection | YES | YES | |
| | short circuit protection | YES | YES | |
| | over temperature protection | YES | YES | |
| | automatic restart | YES | YES | |
| | over load protection | YES | YES | |
| | surge capacity | L-N: 500V | L-N: 500V | |
| Ambient and Life | Ta(°C) | -20...+45 | | |
| | Tc max.(°C) | 80 | | |
| | Storage Temperature(°C) | -30...80 | | |
| | ambient humidity range | 5%...85%RH, Not condensing | | |
| | nominal life-time(hrs) | 30'000@Tc=80°C | | |
| Other | weight(g) | 39 | | |
| | dimensions (L×W×H)(mm) | 68×35×20 | | |
| | casing material | Plastic | | |
| | housing colour | White | | |
| | type of protection | IP20 | | |
| | protection class | CLASSII | | |
| Note | <p>1. Tolerance:includes set up tolerance, line regulation and load regulation. 2. Tested at full load,230Vac.Refer to"Power Factor" and "EFFICIENT"curve graphs. 3. All parameters NOT specially mentioned are measured at nominal voltage input, rated load and 25 of ambient temperature. 4. The power supply is considered as a component that will be operated in combination with final equipment. Since EMC performance will be affected by the complete installation, the final equipment manufacturers must re-qualify EMC Directive on the complete installation again."</p> | | | |

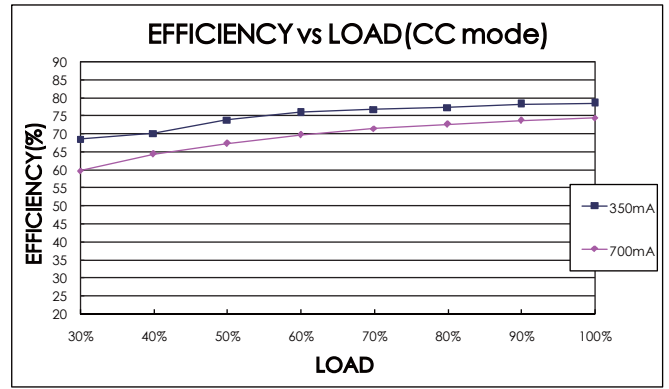
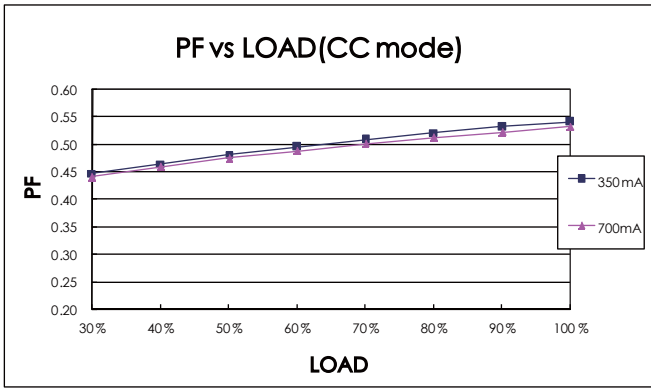
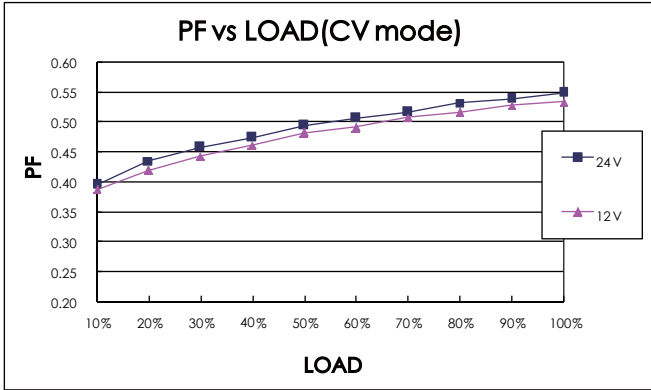
Dimensions(mm):



Wiring diagram:



Electrical curves:



note
For constant current power supply, "LOAD" means the percentage of the maximum rated output voltage.
For constant voltage power supply, "LOAD" means the percentage of the maximum rated output current.

Sales & Technical Support:

Bright Green Connect Limited

Unit 3, Oyster Park
Byfleet
Surrey
KT14 7AX

☎ +44 (0) 1932 497992

✉ contact@brightgreenconnect.com

🌐 brightgreenconnect.com

*Due to continuous improvements and innovations, specifications are subjected to change without notice.