

Constant Current LED Power Supply 1-10V Dimmable

1-10V Dimmable



Product description:

As independent application, compact power supply series was designed for LED down light, spot light, panel light, etc. Advanced output current design exclusively for COB chip, 1...10V dimmable version as optional choice. Thinner profile made this series practical for build-in application. Screwless cover made this series easy installation, high efficiency, highly reliable, and cost-effective choice for both residential and commercial uses.



Standards:

EN61347-1
EN61347-2-13
EN61547
EN55015
EN61000-3-2
EN61000-3-3
EN62384
EN62493

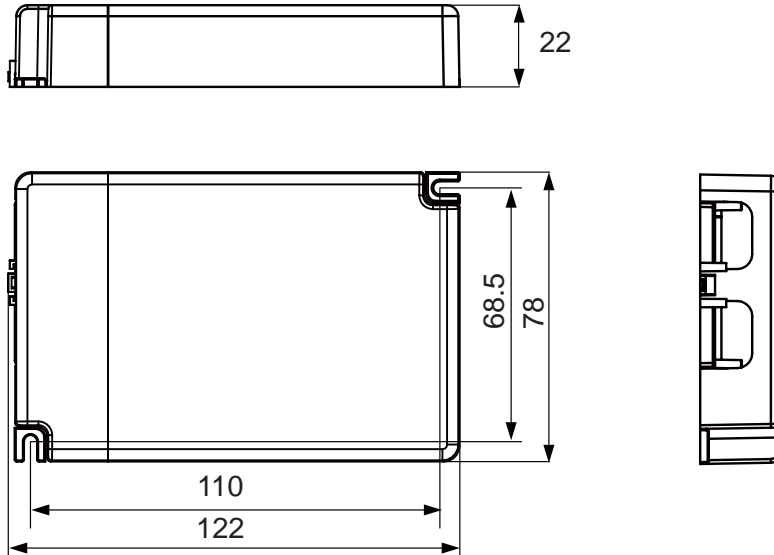
Characteristics:

- Independent power supply for constant current LED lamp
- 10-100% dimming range by 150kΩ potentiometer or 1-10V dimmer(electronic potentiometer)
- Suitable for both Class I and Class II Luminaires
- Terminal block input, terminal block output
- Class II protection against electric shock from direct and indirect contact
- SELV output
- Open circuit, short circuit, over load and over temperature protection
- Auto restart after fault conditions removal
- Efficiency:85% (AC230V, full load)

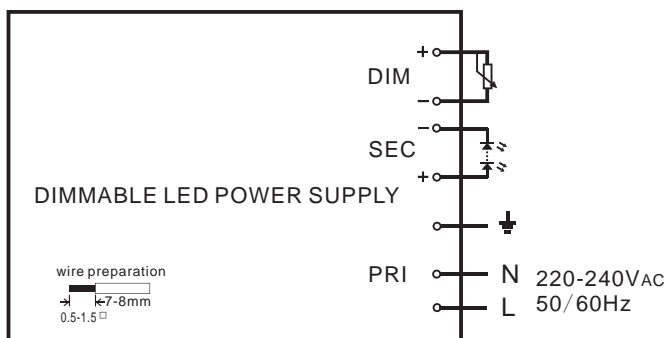
Specifications :

Model	SLD40-800ISA-E	SLD40-900ISA-E	SLD40-1050ISA-E	
Output	turn on time(S)	≤0.5	≤0.5	≤0.5
	output current(mA)	800	900	1050
	output current tolerance ^①	+/-6%	+/-6%	+/-6%
	ripple current(mA)	320(Ip-p)	360(Ip-p)	400(Ip-p)
	working voltage range(V)	6-44	6-44	6-44
	Max. output voltage(V)	58	58	58
	dimming interface	1-10V		
	dimming range	10%-100%		
Input	rated supply voltage(Vac)	220-240	220-240	220-240
	voltage range(Vac)	198-264	198-264	198-264
	line frequency(Hz)	50/60	50/60	50/60
	input current(mA)	200	210	230
	efficiency ^②	85.6%	85.9%	85.0%
	power factor ^②	0.95	0.95	0.95
	inrush current(Ipk)	5.5A/10us	5.5A/10us	5.5A/10us
Protection	over voltage protection	YES	YES	YES
	short circuit protection	YES	YES	YES
	over temperature protection	YES	YES	YES
	automatic restart	YES	YES	YES
	over load protection	YES	YES	YES
	surge capacity	L-N:1KV L,N-PE:2KV	L-N:1KV L,N-PE:2KV	L-N:1KV L,N-PE:2KV
Ambient and Life	Ta(°C)	-20...50		
	Tc max. (°C)	85		
	Storage Temperature(°C)	-30...80		
	ambient humidity range	5%...85%RH, Not condensing		
	nominal life-time(hrs)	50'000@Tc=70 C		
Other	weight(g)	185		
	dimensions (LxWxH)(mm)	122x79x22		
	casing material	Plastic		
	housing colour	White+Blue		
	type of protection	IP20		
	protection class	CLASS II		
Note	<p>1.Tolerance : includes set up tolerance, line regulation and load regulation.</p> <p>2.Tested at full load,230Vac.Refer to"Power Factor" and "EFFICIENT"curve graphs.</p> <p>3.All parameters NOT specially mentioned are measured at nominal voltage input, rated load and 25 of ambient temperature.</p> <p>4.The power supply is considered as a component that will be operated in combination with final equipment. Since EMC performance will be affected by the complete installation, the final equipment manufacturers must re-qualify EMC Directive on the complete installation again.</p>			

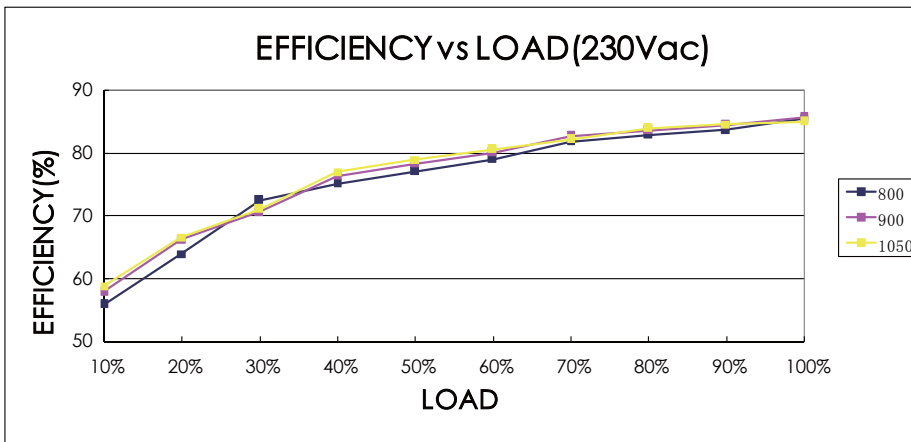
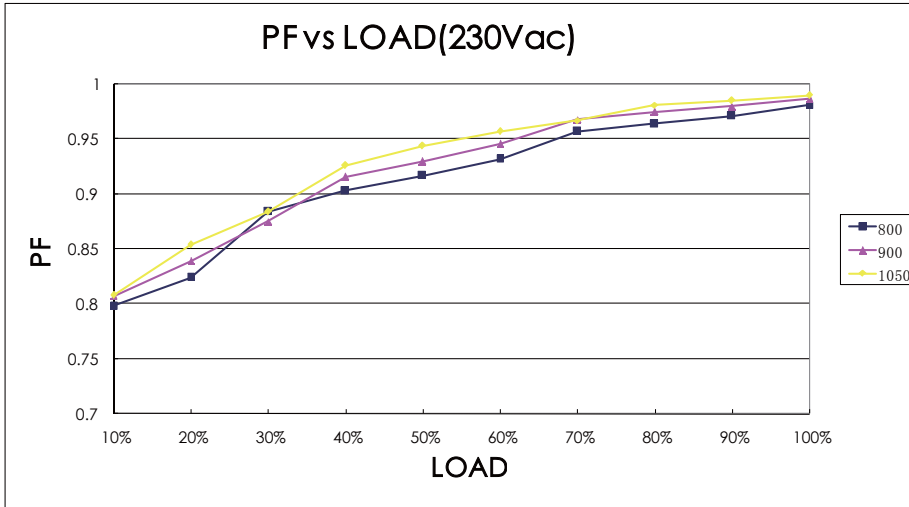
Dimensions(mm):



Wiring diagram:



Electrical curves:



note

For constant current power supply, "LOAD" means the percentage of the maximum rated output voltage.
For constant voltage power supply, "LOAD" means the percentage of the maximum rated output current.

Sales & Technical Support:

Bright Green Connect Limited

Unit 3, Oyster Park
Byfleet
Surrey
KT14 7AX

☎ +44 (0) 1932 497992

✉ contact@brightgreenconnect.com

🌐 brightgreenconnect.com

*Due to continuous improvements and innovations, specifications are subjected to change without notice.